

SAKURA

SETTING SHEET

AWD RWD



DRIVER _____

DATE / /

CIRCUIT _____

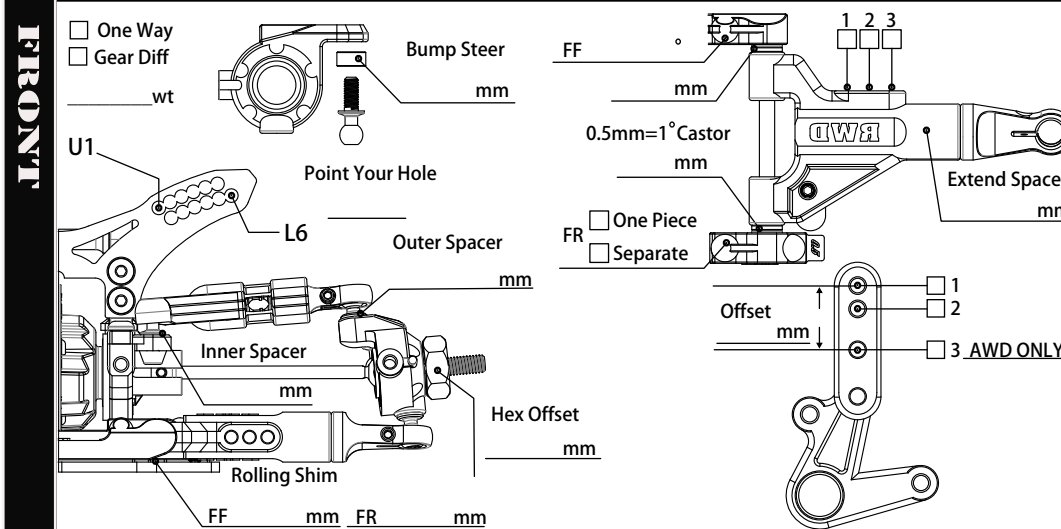
DD / MM / YY

Indoor Outdoor

Track Asphalt Carpet Other

Traction High Medium Low

Track Condition Flat Bumpy



Ride Height _____ mm

Camber Angle _____ °

Castor _____ °

Droop _____ mm

Downstop _____ mm

Toe Angle _____ °

Rebound _____ %

shock absorber

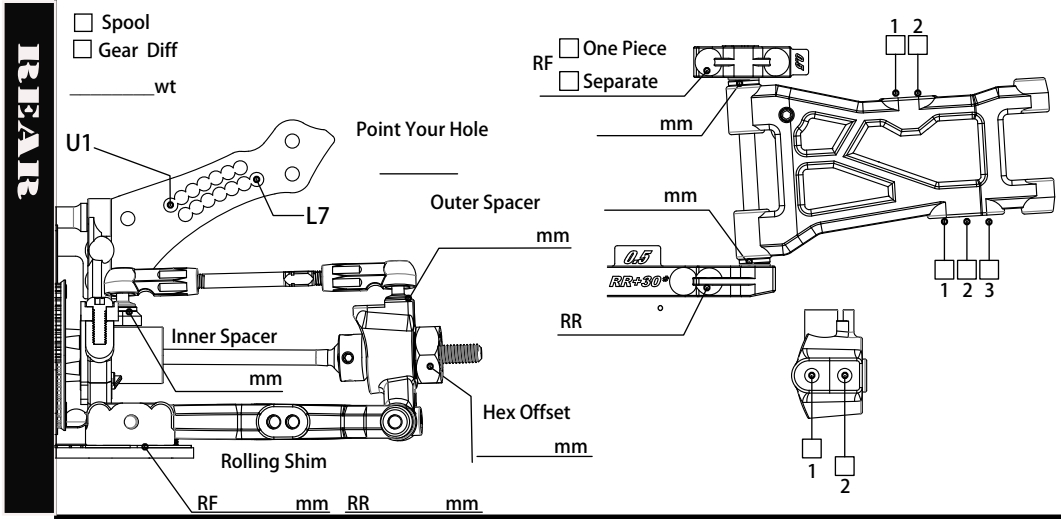
Oil # _____

Piston 2 3 4

Bladder Foam
Yes No

Spring _____

Notes _____



Ride Height _____ mm

Camber Angle _____ °

Droop _____ mm

Downstop _____ mm

Toe Angle _____ °

Rebound _____ %

shock absorber

Oil # _____

Piston 2 3 4

Bladder Foam
Yes No

Spring _____

Notes _____

DIFFER

Motor _____

Spur Gear _____ T (/ Pitch)

Pinion _____ T (/ Pitch)

Wheel Offset F _____ mm
R _____ mm

Tire _____

Body _____

Wing _____

Battery _____

ESC _____

Notes _____

BWD FDR = $\frac{R. \text{Pulley}}{R. \text{Center Pulley}} \times \frac{\text{Spur Gear}}{\text{Pinion}}$

REAR x **GEAR RATIO**

Front

Rear

AWD FDR = $\frac{F. \text{Pulley}}{F. \text{Center Pulley}} / \frac{R. \text{Pulley}}{R. \text{Center Pulley}} \times \frac{\text{Spur Gear}}{\text{Pinion}}$

FRONT / **REAR** x **GEAR RATIO**