

ADVANCE

1/10 SCALE RADIO CONTROL TOURING CAR

SETTING SHEET

20M

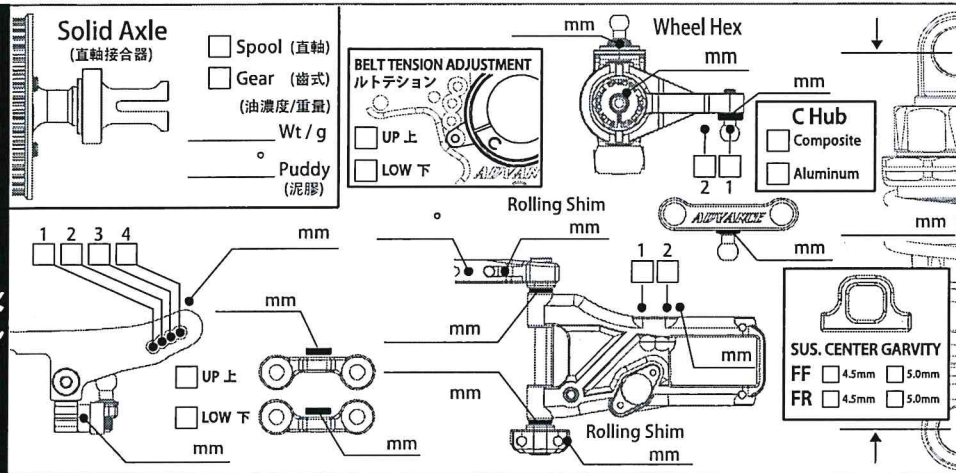
DRIVER (賽員) _____ DATE / / _____

FINAL POSITION (決賽成績) _____ BEST LAPS (最佳圈數) _____

CIRCUIT (賽道) _____

- Place (地點) Indoor (室內) Outdoor (室外)
- Track (場地) Asphalt (瀝青) Carpet (地毯)
- Traction (抓著力) High (高) Medium (中) Low (低)
- Track Condition (場地狀況) Flat (平坦) Bumpy (顛簸)

FRONT (前方)



shock absorber 減震器

Oil (油濃度) # _____

Piston (活塞) 2 3 4 Holes _____ mm

Spring (彈簧) _____ mm

Bladder Foam (油壓頂部海綿) Yes No

Rebound (彈芯) % _____

Notes (備註) _____

Ride Height (離地距) _____ mm

Camber Angle (外傾角) _____ °

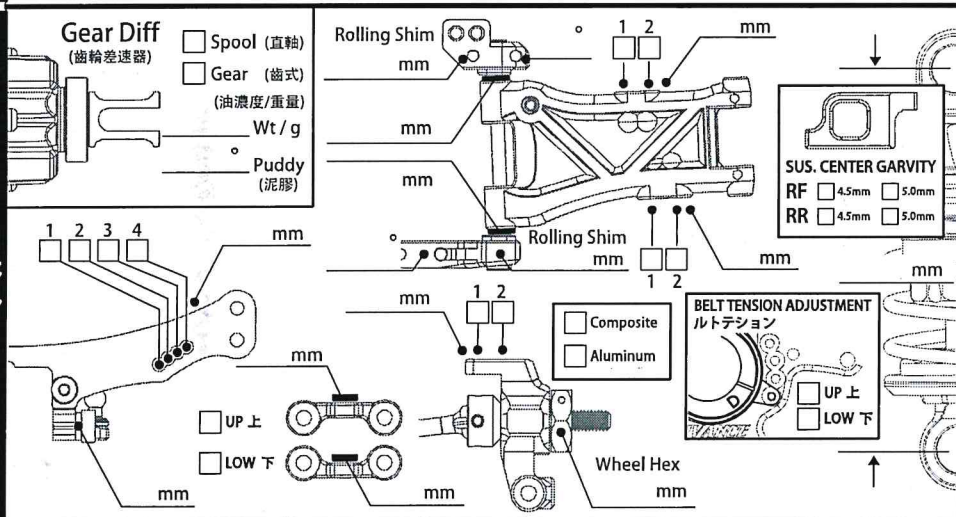
Sway Bar (防傾桿) _____ mm

Droop (油壓行程) _____ mm

Downstop (擺臂止限位) _____ mm

Toe Angle (束角) _____ °

REAR (後方)



shock absorber 減震器

Oil (油濃度) # _____

Piston (活塞) 2 3 4 Holes _____ mm

Spring (彈簧) _____ mm

Bladder Foam (油壓頂部海綿) Yes No

Rebound (彈芯) % _____

Notes (備註) _____

Ride Height (離地距) _____ mm

Camber Angle (外傾角) _____ °

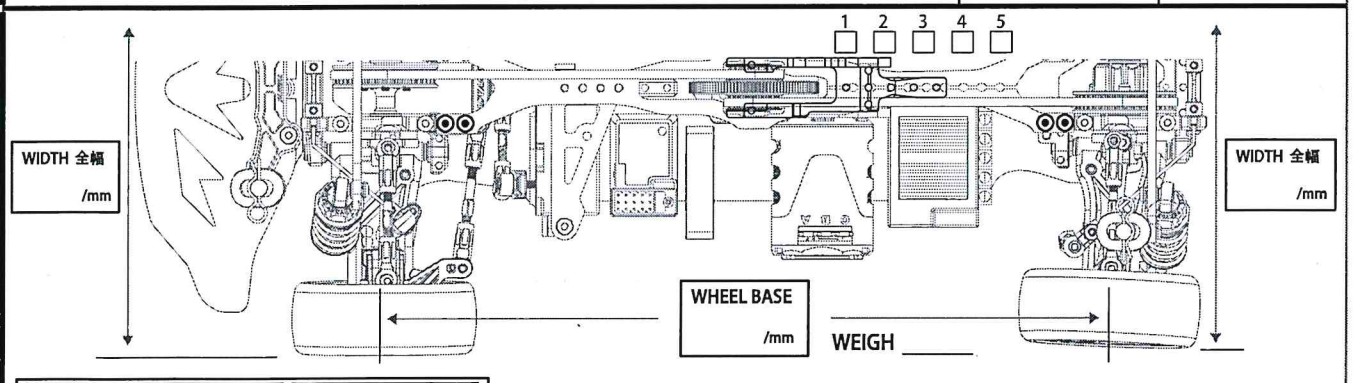
Sway Bar (防傾桿) _____ mm

Droop (油壓行程) _____ mm

Downstop (擺臂止限位) _____ mm

Toe Angle (束角) _____ °

OTHER (其他)



FRONT (前方)	REAR (後方)
Tire (胎皮)	/
Compound (胎皮質)	/
Insert (胎胎)	/
Wheel (輪圈)	/
Tire Treatment (胎水)	/

Spur Gear (大減齒)	T	Pinion Gear (摩打齒)	T
Motor (馬達)		Battery (電池)	
ESC (電調)		Servo (伺服器)	
Body (車殼)		Wing (風翼)	
Final Drive Ratio (齒比)	(Spur / Pinion x 1.9) : 1 () : 1		