

ADVANCE

1/10 SCALE RADIO CONTROL TOURING CAR

SETTING SHEET

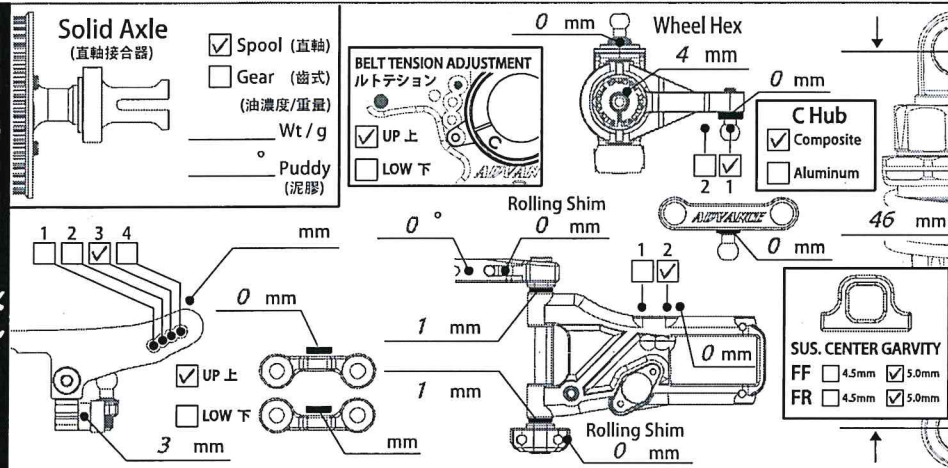
20M

FINAL POSITION (決賽成績) BEST LAPS (最佳圈數)

CIRCUIT (賽道) *PYC*

- Place (地點) Indoor (室內) Outdoor (室外)
- Track (場地) Asphalt (瀝青) Carpet (地毯)
- Traction (抓著力) High (高) Medium (中) Low (低)
- Track Condition (場地狀況) Flat (平坦) Bumpy (顛簸)

FRONT (前方)



shock absorber 減震器

Oil (油濃度) # 500

Piston (活塞) 2 3 ④ Holes 1.1 mm

Spring (彈簧) Orange

Bladder Foam (油壓頂部海綿) Yes No

Rebound (彈芯) 2.5 %

Notes (備註)

Ride Height (離地距) 4.8 mm

Camber Angle (外傾角) 2 °

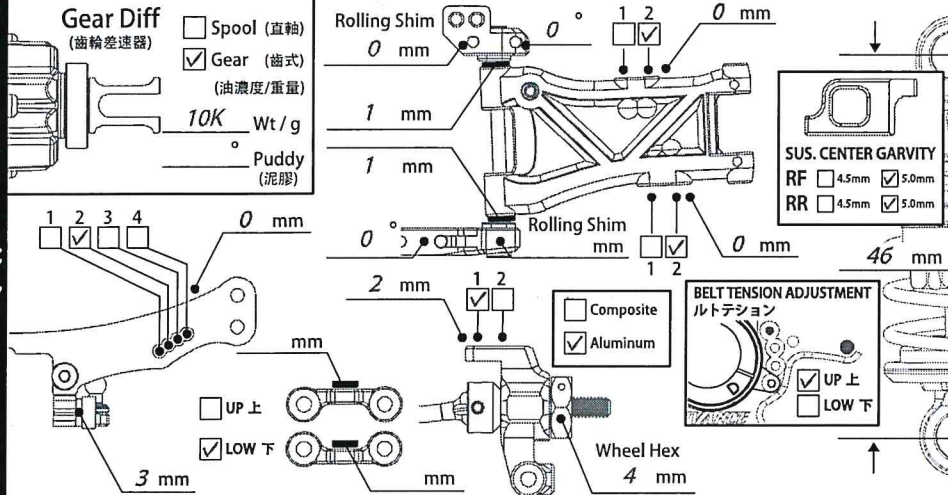
Sway Bar (防傾桿) 1.3 mm

Droop (油壓行程) 1.4 mm

Downstop (擺臂止限位) 6.3 mm

Toe Angle (束角) -1 °

REAR (後方)



shock absorber 減震器

Oil (油濃度) # 500

Piston (活塞) 2 3 ④ Holes 1.1 mm

Spring (彈簧) Yellow

Bladder Foam (油壓頂部海綿) Yes No

Rebound (彈芯) 25 %

Notes (備註)

Ride Height (離地距) 4.8 mm

Camber Angle (外傾角) 2 °

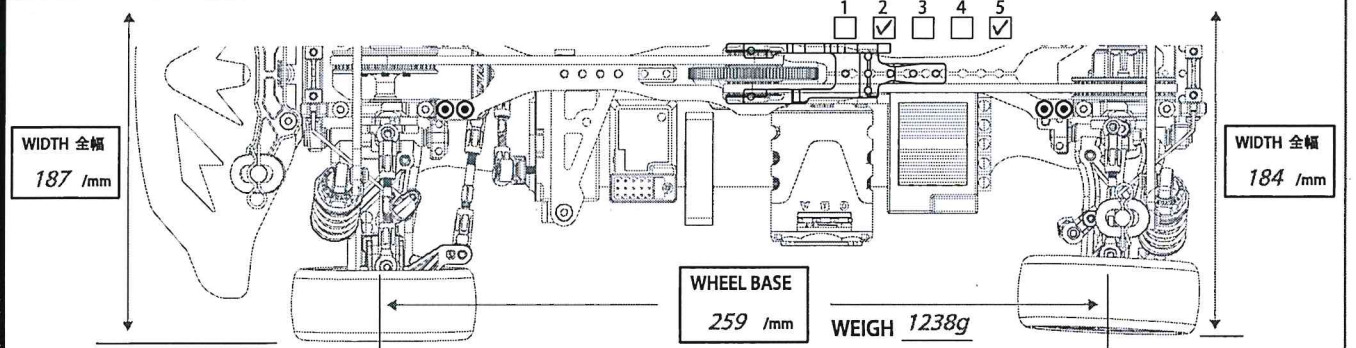
Sway Bar (防傾桿) 1.2 mm

Droop (油壓行程) 1.4 mm

Downstop (擺臂止限位) 5.8 mm

Toe Angle (束角) 2 °

OTHER (其他)



	FRONT (前方)	REAR (後方)
Tire (胎皮)	Rush	Rush
Compound (胎皮面)	40	40
Insert (胎胎)	039M	039M
Wheel (輪圈)	Std	Std
Tire Treatment (胎水)	MGV3	MGV3

Spur Gear (大減齒)	114 T 64	Pinion Gear (摩打齒)	28 T
Motor (馬達)	MAGNUM 4.5	Battery (電池)	IP 6000 MAH
ESC (電調)	HW XR10 Stock	Servo (伺服器)	Power HD R12
Body (車殼)	Bulldog	Wing (風翼)	Std
Final Drive Ratio (齒比)	(Spur / Pinion x 1.9) : 1 (7.73) : 1		