

SAKURA

SETTING SHEET

AWD RWD



DRIVER _____

DATE / /

CIRCUIT _____

DD / MM / YY

Indoor Outdoor

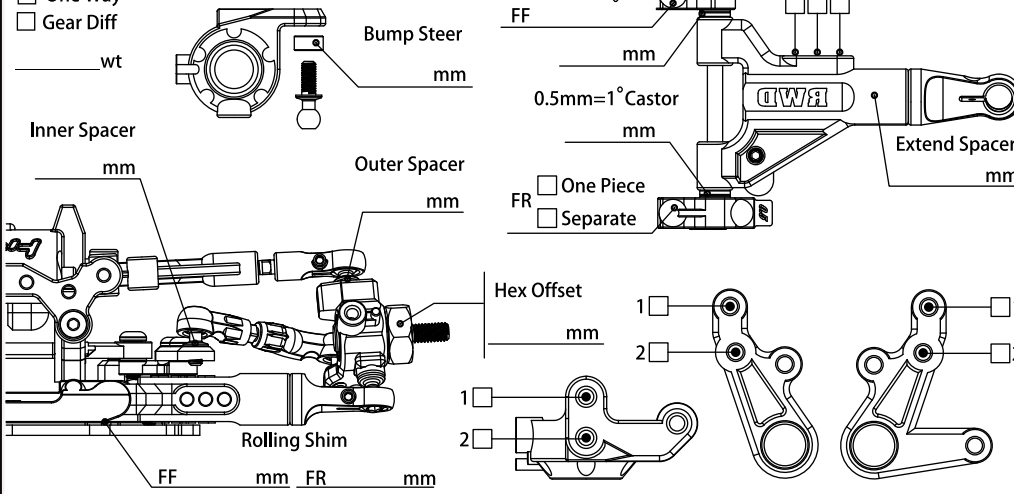
Track Asphalt Carpet Other

Traction High Medium Low

Track Condition Flat Bumpy

FRONT

- One Way
 Gear Diff



Ride Height _____ mm

Camber Angle _____ °

Castor _____ °

Droop _____ mm

Downstop _____ mm

Toe Angle _____ °

Rebound _____ %

shock absorber

Oil # _____

Piston 2 3 4

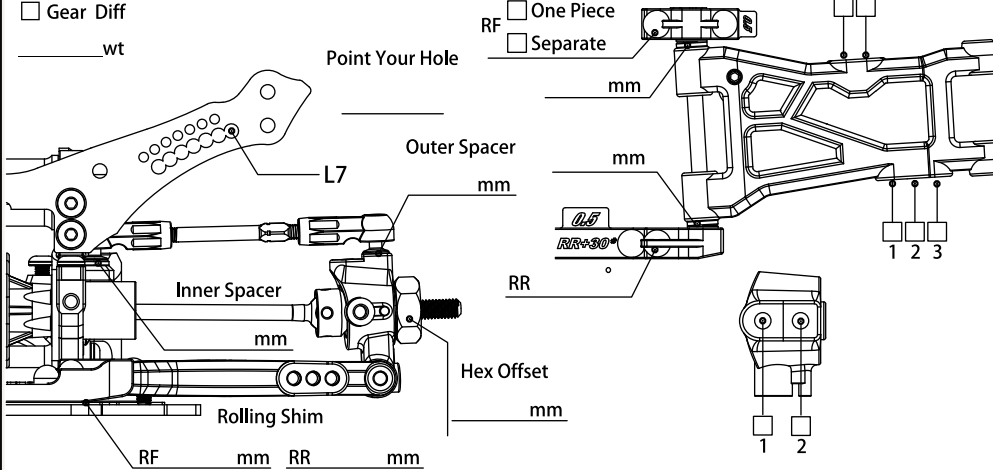
Bladder Foam Yes No

Spring _____

Notes _____

REAR

- Spool
 Gear Diff



Ride Height _____ mm

Camber Angle _____ °

Droop _____ mm

Downstop _____ mm

Toe Angle _____ °

Rebound _____ %

shock absorber

Oil # _____

Piston 2 3 4

Bladder Foam Yes No

Spring _____

Notes _____

DIFFER

Motor: _____

Spur Gear: T (_____ / Pitch)

Pinion: T (_____ / Pitch)

Wheel Offset: F _____ mm

R _____ mm

Tire: _____

Body: _____

Wing: _____

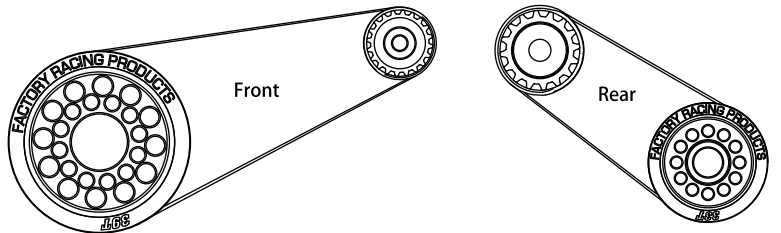
Battery: _____

ESC: _____

Notes: _____

$$BWD FDB = \frac{R. Pulley}{()} \times \frac{Spur Gear}{()}$$

$$REAR \times \frac{GEAR RATIO}{()}$$



$$AWD FDR = \frac{F. Pulley}{()} / \frac{R. Pulley}{()} \times \frac{Spur Gear}{()}$$

$$FRONT \times REAR \times GEAR RATIO$$