

M5 SETTING SHEET PRO

1/10 SCALE RADIO CONTROL TOURING CAR

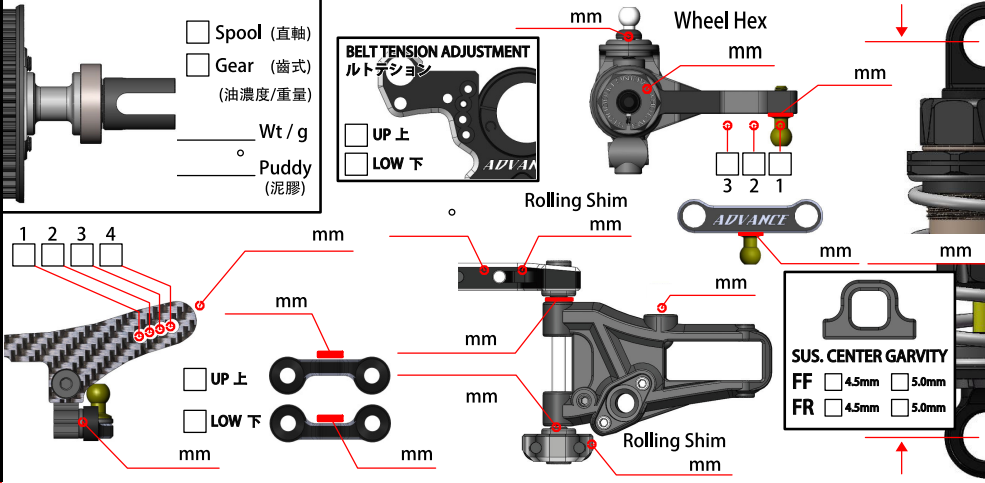
DRIVER (賽員) _____ DATE / / _____

FINAL POSITION (決賽成績) _____ BEST LAPS (最佳圈數) _____

CIRCUIT (赛道) _____

Place (地點) Indoor (室內) Outdoor (室外)
 Track (場地) Asphalt (瀝青) Carpet (地毯)
 Traction (抓著力) High (高) Medium (中) Low (低)
 Track Condition (場地狀況) Flat (平坦) Bumpy (顛簸)

FRONT (前方)



shock absorber 減震器

Oil (油濃度) # _____

Piston (活塞) 2 3 4 Holes _____ mm

Spring (彈簧) _____ mm

Bladder Foam (油壓頂部海綿) Yes No

Rebound (彈芯) % _____

Notes (備註) _____

Ride Height (離地距) _____ mm

Camber Angle (外傾角) _____ °

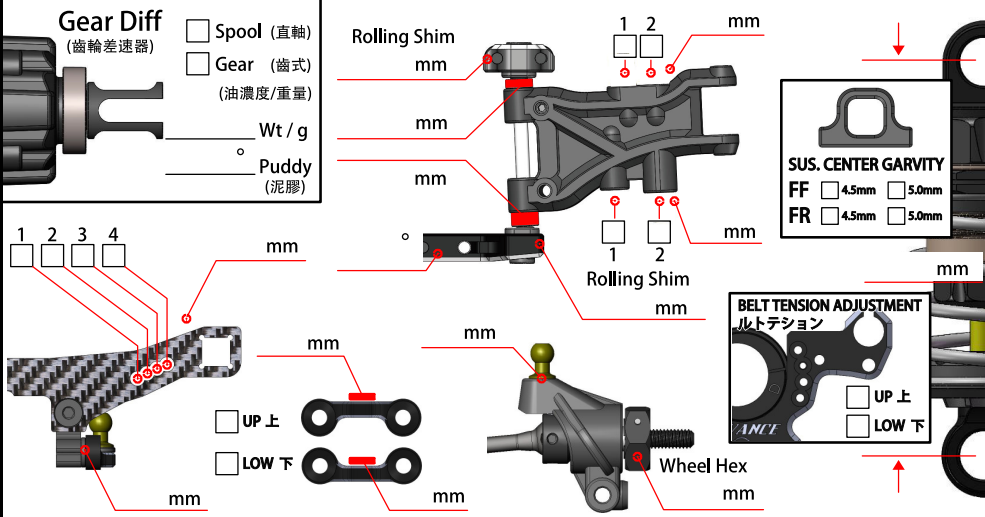
Sway Bar (防傾桿) _____ mm

Droop (油壓行程) _____ mm

Downstop (擺臂止限位) _____ mm

Toe Angle (束角) _____ °

REAR (後方)



shock absorber 減震器

Oil (油濃度) # _____

Piston (活塞) 2 3 4 Holes _____ mm

Spring (彈簧) _____ mm

Bladder Foam (油壓頂部海綿) Yes No

Rebound (彈芯) % _____

Notes (備註) _____

Ride Height (離地距) _____ mm

Camber Angle (外傾角) _____ °

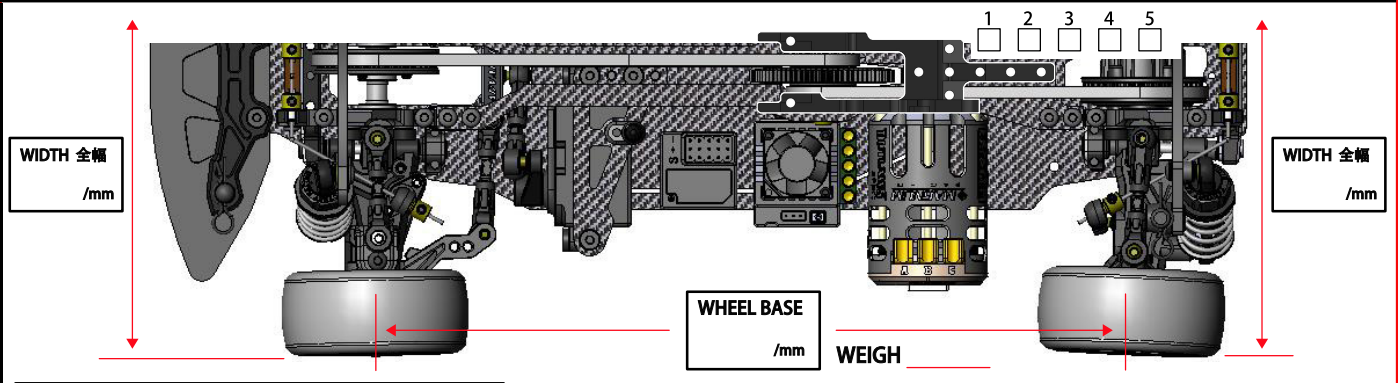
Sway Bar (防傾桿) _____ mm

Droop (油壓行程) _____ mm

Downstop (擺臂止限位) _____ mm

Toe Angle (束角) _____ °

OTHER (其他)



FRONT (前方)	REAR (後方)
Tire (胎皮)	/
Compound (胎皮值)	/
Insert (胎胎)	/
Wheel (輪圈)	/
Tire Treatment (胎水)	/

Spur Gear (大減齒) T	Pinion Gear (摩打齒) T
Motor (馬達)	Battery (電池)
ESC (電調)	Servo (伺服器)
Body (車殼)	Wing (風翼)
Final Drive Ratio (齒比)	(Spur / Pinion x 1.9) : 1 () : 1